

# B&C Heritage LSL / men - SM P41

THE SHIRT CULTURE  
BE INSPIRED



## REGULAR FIT

- Fine 100% cotton poplin with **Easy Care** finish
- Cut-away collar
- Cross stitched mother-of-pearl effect buttons
- Straight cuffs & square-shaped gauntlets
- French cuff option through: Additional cufflink buttonholes or **B&C REVERSO Button®**
- The exclusive **B&C Tie-Fix®**
- Left chest pocket
- Back yoke with 2 overstitched side pleats
- Inside lap seams for perfect finish
- Horizontal last buttonhole
- Square-shaped bottom hem side reinforcement
- Curved bottom hem



100% **combed** cotton



Poplin

120 g/m<sup>2</sup> (white) - 125 g/m<sup>2</sup> (colour)

S > 4XL

1 pack & 10 pcs/carton



**DUO CONCEPT**  
with B&CHeritage LSL women

**SIZES (CM)**

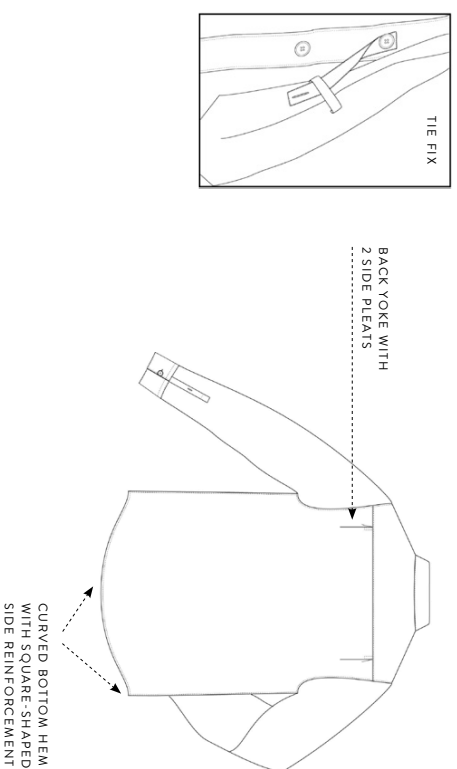
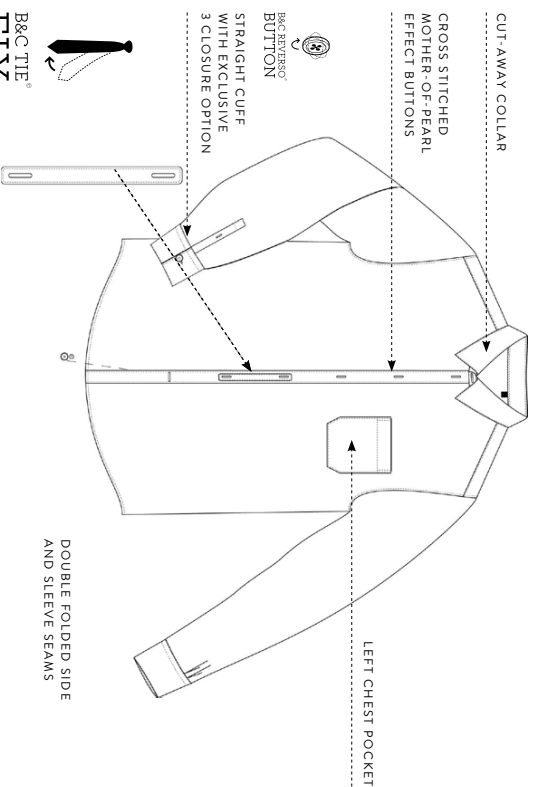
B&C HERITAGE LSL / M - SM P41	XS	S	M	L	XL	2XL	3XL	4XL	5XL
A. COLLAR TO FIT	37/38	39/40	41/42	43/44	45/46	47/48	49/50	-	-
B. CHEST TO FIT	143/151	155	167/168	177/178	18	188/191	195	-	-
C. CHEST TO FIT	92/97	97/102	100/107	109/112	117/119	117/122	122/127	-	-
D. CHEST SIZE	86/88	88/40	89/42	92/44	94/46	95/48	97/50	-	-
E. CHEST SIZE	91	112	117	127	137	142	152	157	-
F. CENTER BACK LENGTH	82	80	81	83	85	86	88	89	-



## PURE COTTON MEN'S LONG SLEEVED EASY CARE

### COMFORTABLE POPLIN SHIRT

EASY CARE



THE SHIRT CULTURE  
BE INSPIRED

